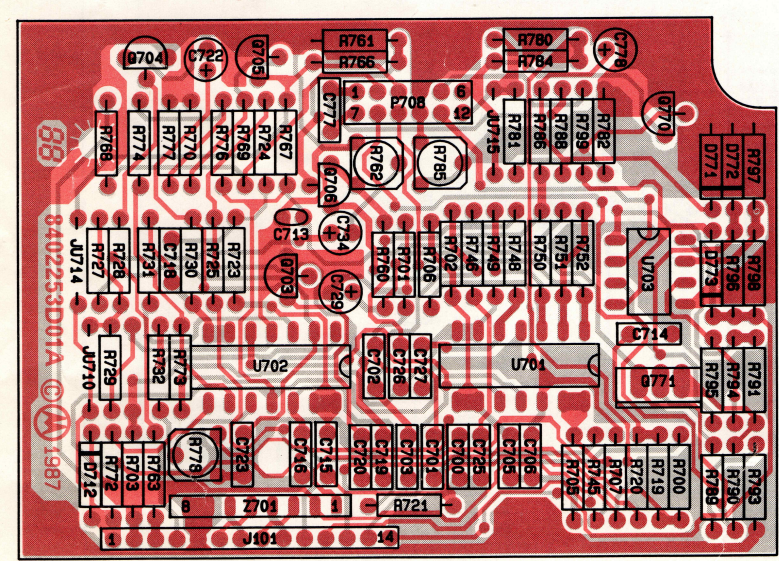


63C02253D01

PARTS WITHIN DOTTED LINE
USED WITH ARN6144A ONLY.
* R761 NOT USED WITH ARN6144A
D712 NOT USED WITH ARN6145A

COMPONENT LAYOUT PL/VOTING BOARD



SHOWN FROM SOLDER SIDE

63B02253D02

PARTS LIST PL VOTING BOARD ARN6145A

MOTOROLA PART NO.	CIRCUIT REFERENCE OR QUANTITY	DESCRIPTION
0611009C49	R700, R702	Res 1K ohm ± 5% 1/4W
0611009C71	R701, R705, R772, R774	Res 8K2 ohm ± 5% 1/4W
0611009D10	R703	Res 330K ohm ± 5% 1/4W
0611009C97	R706, R721, R723, R729	Res 100K ohm ± 5% 1/4W
0611009C89	R707, R746, R748, R776	Res 47K ohm ± 5% 1/4W
0611009C93	R719, R720, R724	Res 68K ohm ± 5% 1/4W
0611009D18	R725, R760	Res 680K ohm ± 5% 1/4W
0611009C81	R727, R728, R732, R745, R750	Res 22K ohm ± 5% 1/4W
0611009D06	R730, R731	Res 220K ohm ± 5% 1/4W
0611009C85	R749	Res 4K7 ± 5% 1/4W
0611009C73	R751, R761, R763, R766, R768, R769, R770, R773, R777	Res 10K ohm ± 5% 1/4W
0611009C77	R752	Res 15K ohm ± 5% 1/4W
1802012D07	R762	Res Variable 20k ohm
1802012D12	R778	Res Variable 1M ohm
0802005D10	C700, C701, C702, C703, C705, C706, C714, C725	Cap Poly 33nF ± 5%, 63V
2102008D54	C713	Cap Cer 47nF ± 10% X7R
0802005D13	C715, C718, C726	Cap Poly 100nF ± 5%, 63V
0802005D03	C716, C720, C723, C727	Cap Poly 2n2 ± 5%, 63V
0802005D01	C719	Cap Poly 1nF ± 5%, 63V
2302002D01	C722	Cap Tant 100nF 35V
2302008D10	C729, C734	Cap Lytic 22µF ± 20%, 25V
4800869642	Q703, Q704	Tstr M9642
4800869643	Q706	Tstr M9643
5108000D03	U701, U702	I.C Quad OP AMP MC3403
0902033D13	J101	Socket P.C.B 14 Way
5102031D01	Z701	Resistive Network SIP
3010286A72	JU710	Wire 24 Gauge WH

NON REFERENCED ITEMS QUANTITY